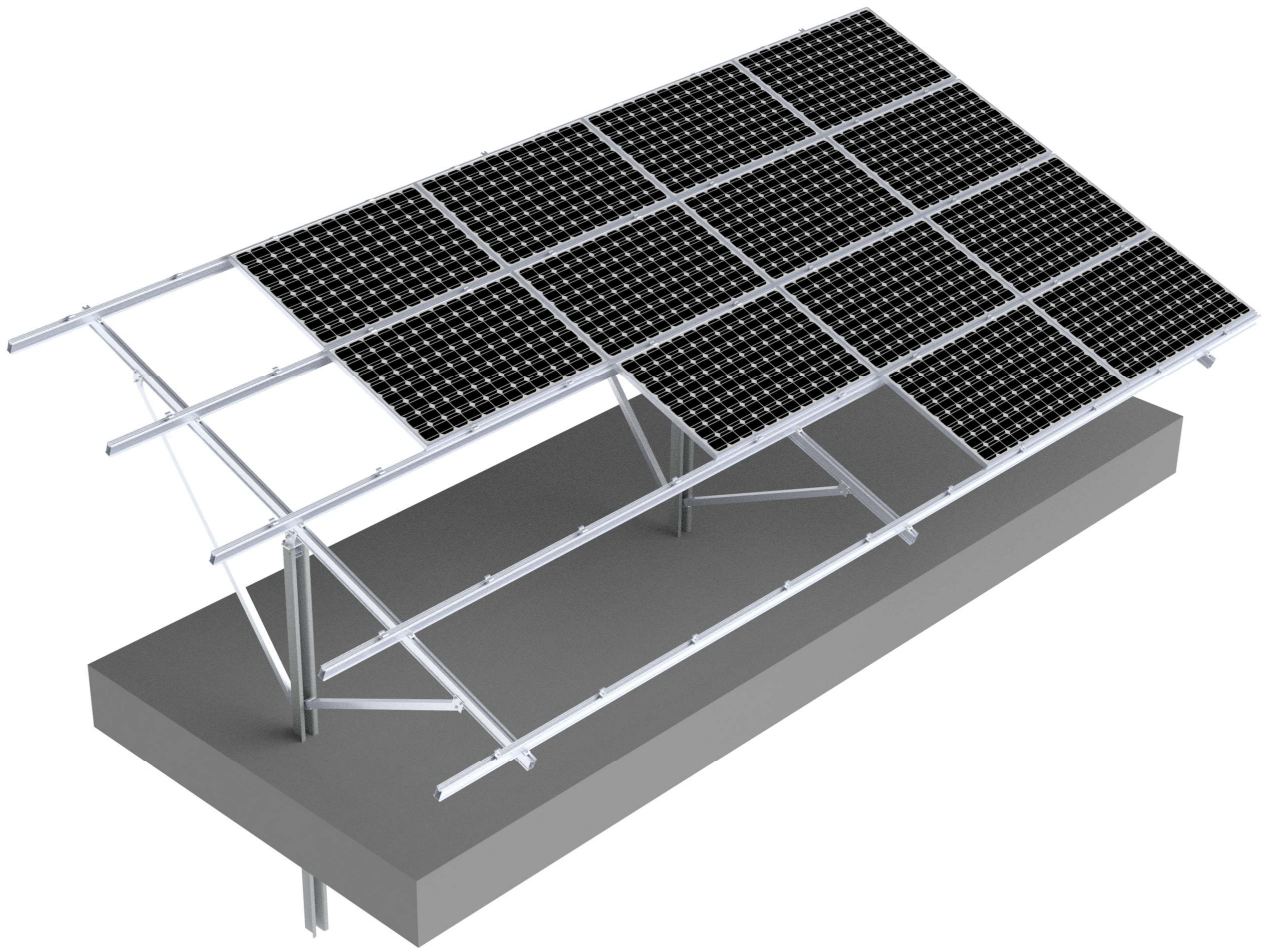




The Professional Solar Mounting Systems

Enerack U Pile Ground Mount Installation Manual



Add: 203A, NO.6 Huli Avenue, Huli District, Xiamen, China

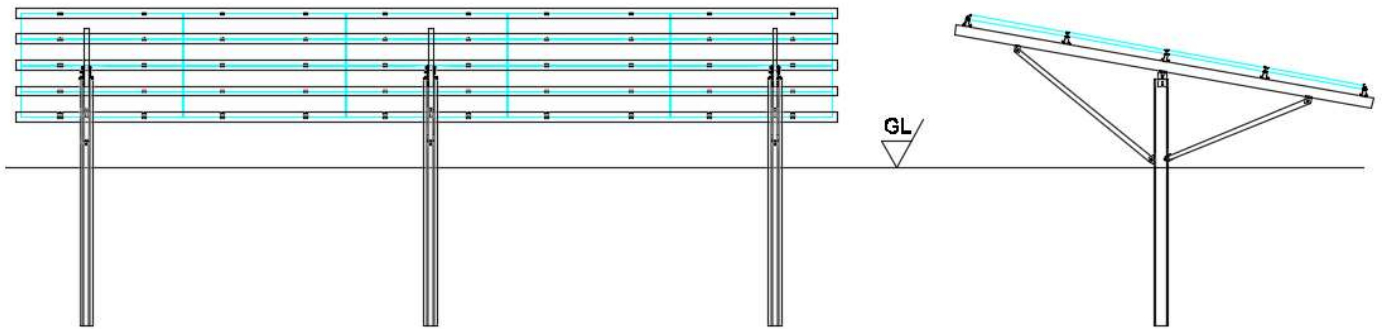
Tel: +86 592 5669285

Fax: +86 592 5669235

Mail: info@enerack.com

Web: www.enerack.com

Engineering drawing:



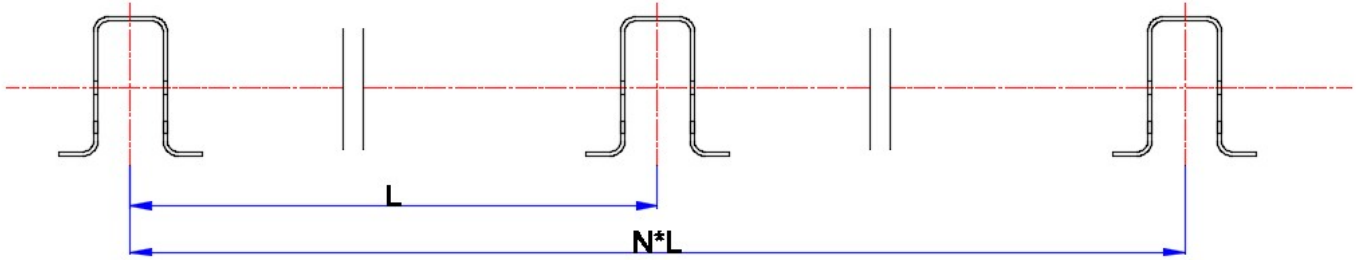
Installation tool



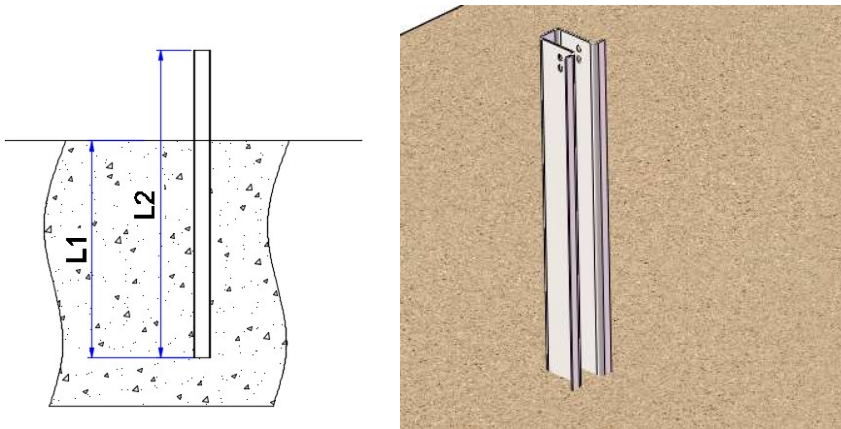
Install Step:

Positioning foundation.

According to the drawing, confirm the foundation space.

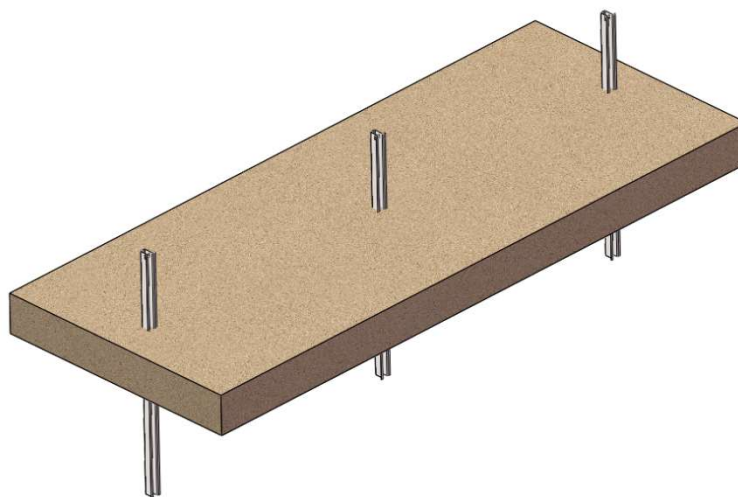


Foundation (vertical view)

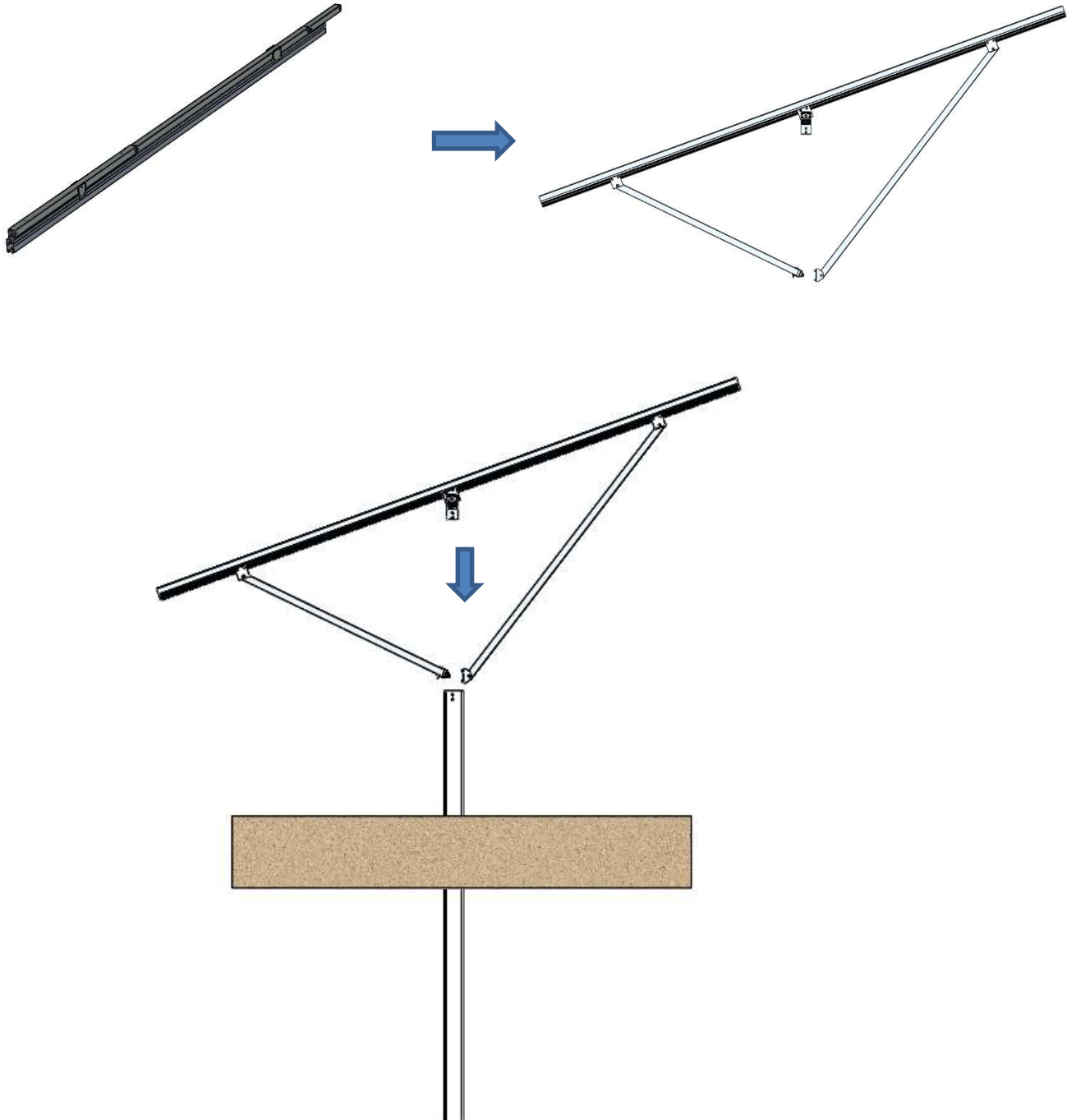


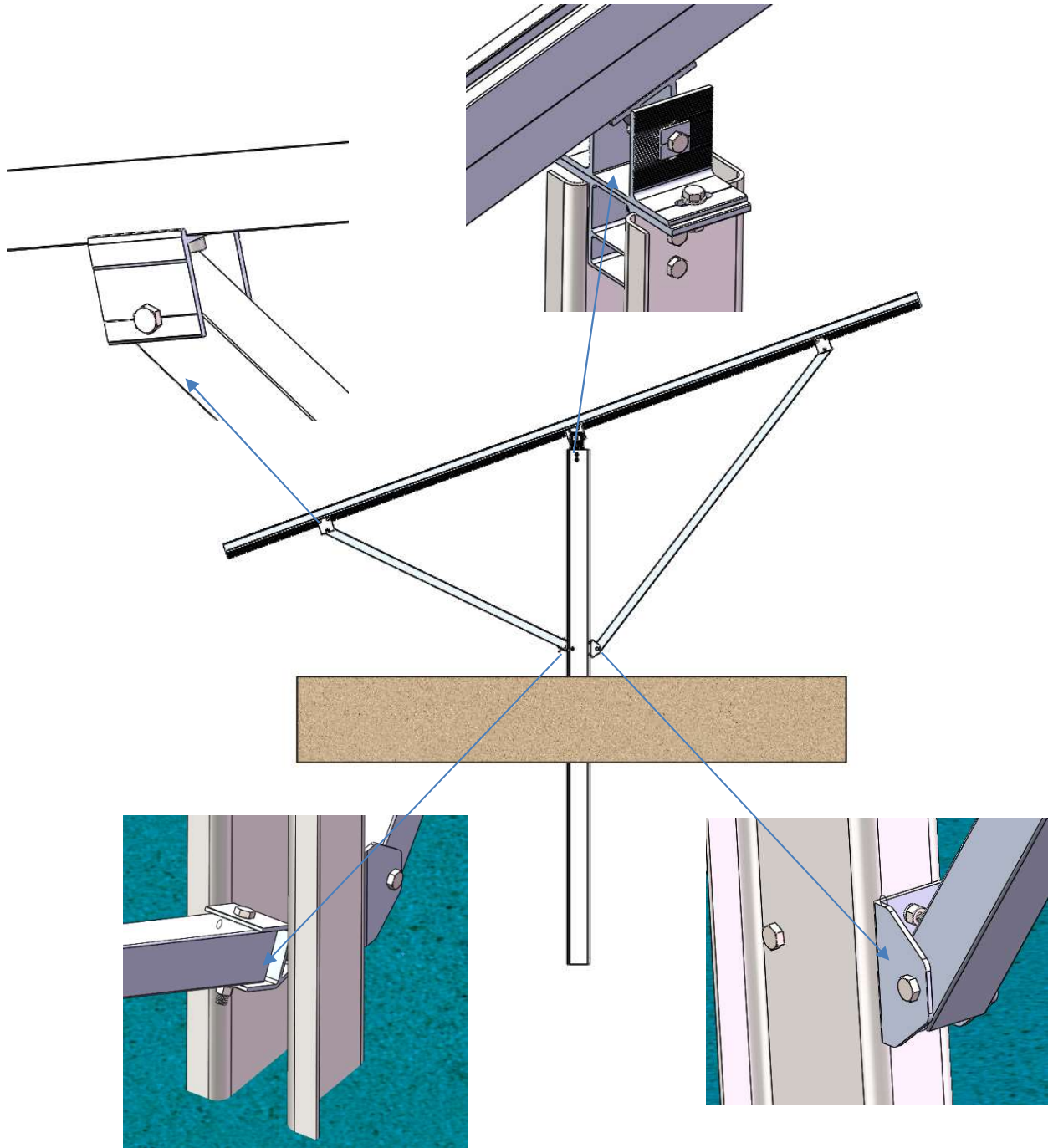
Foundation (side view)

Foundation finished as below

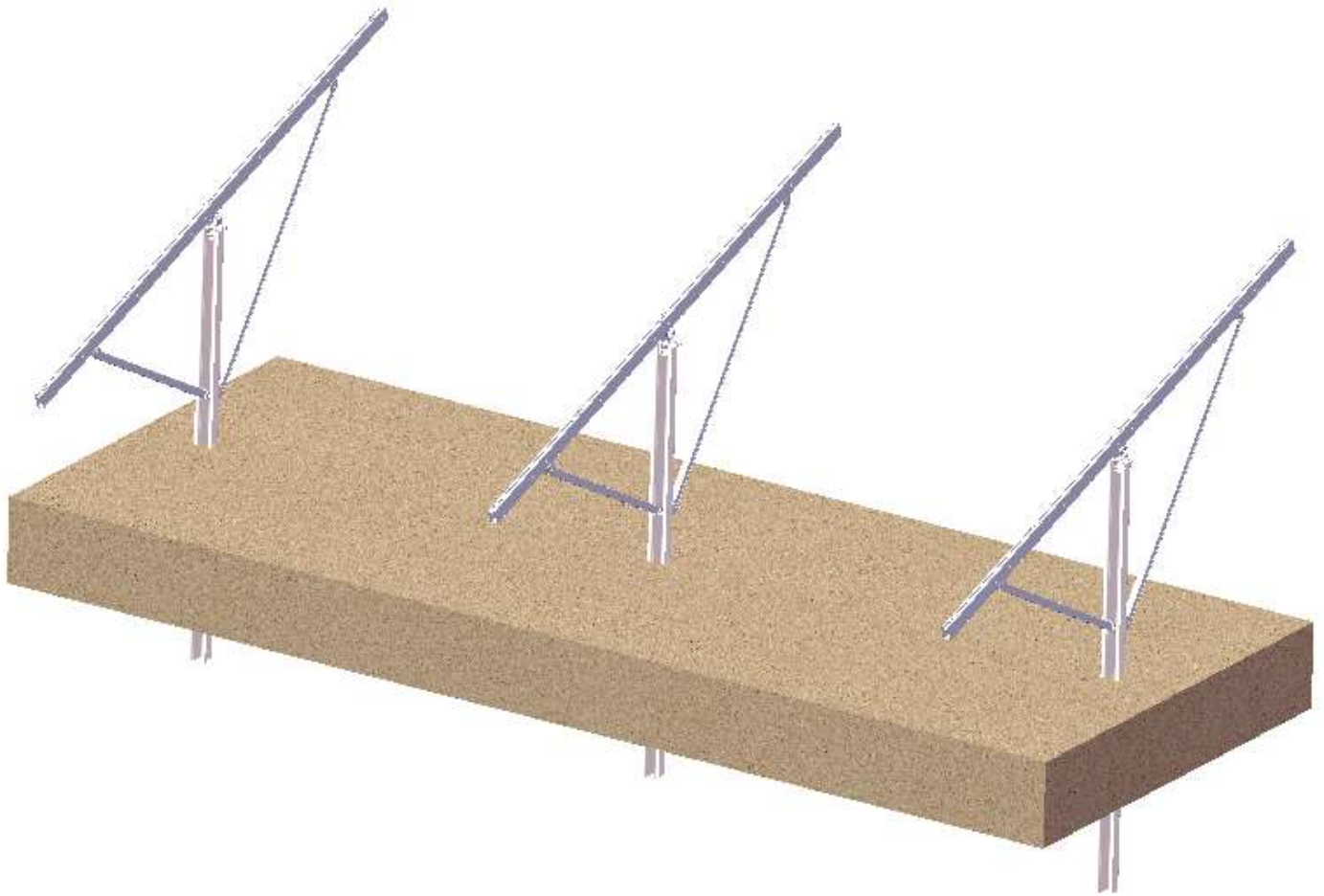


Installing Pre-assembled Leg:



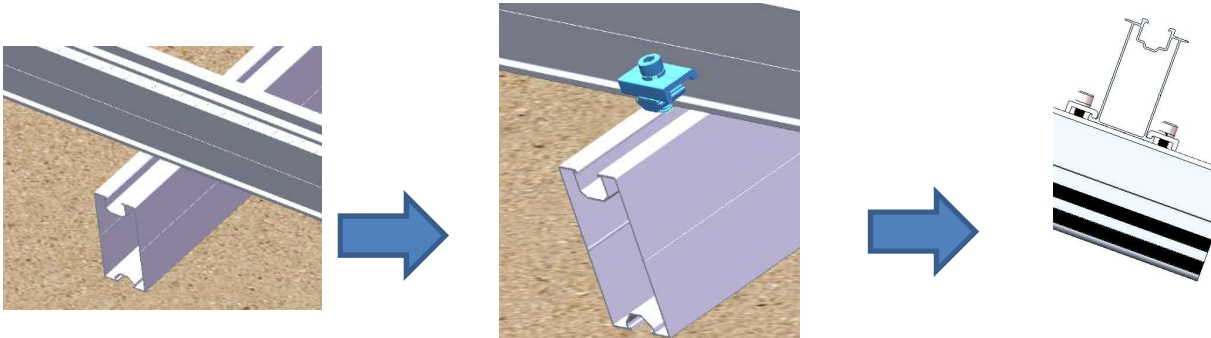


Repeat the above operation in accordance with the planned array layout.

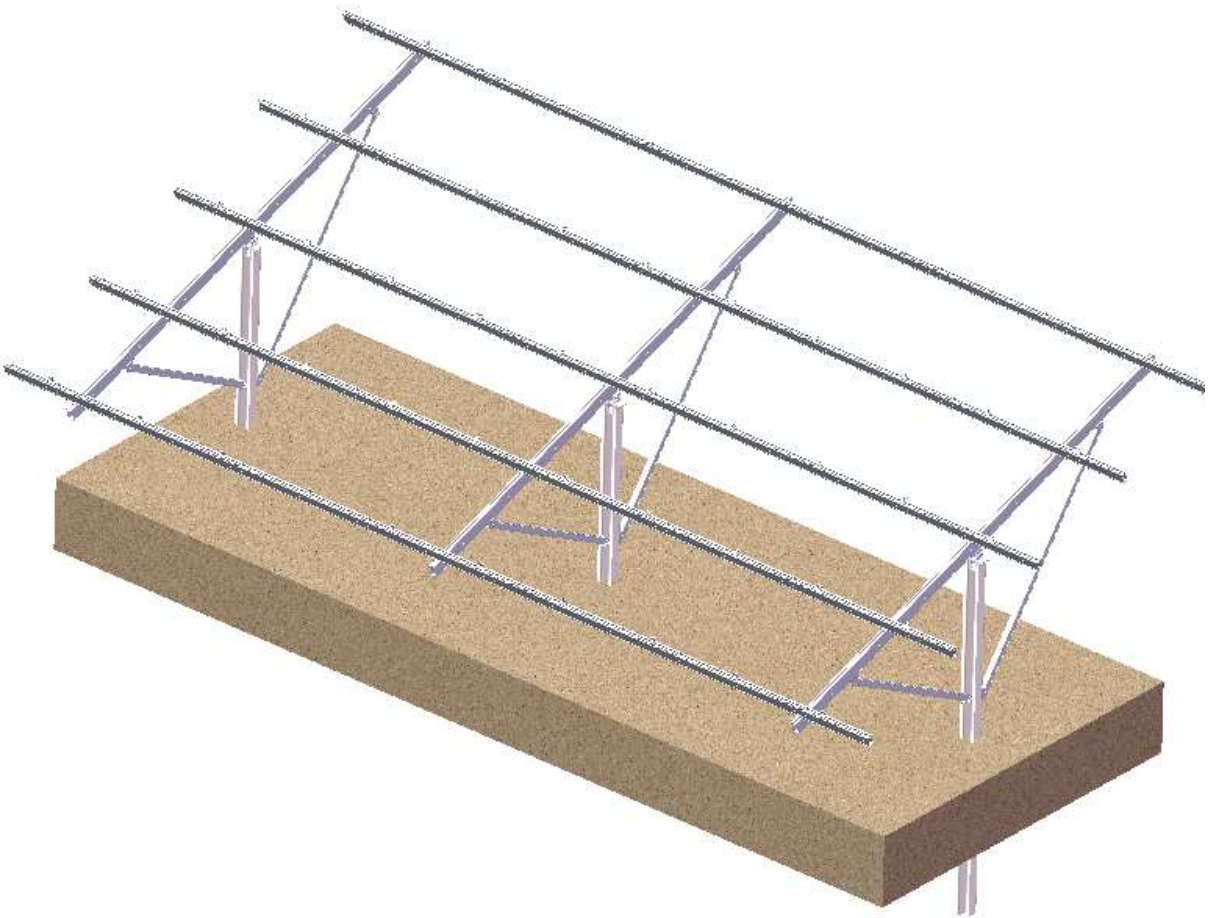
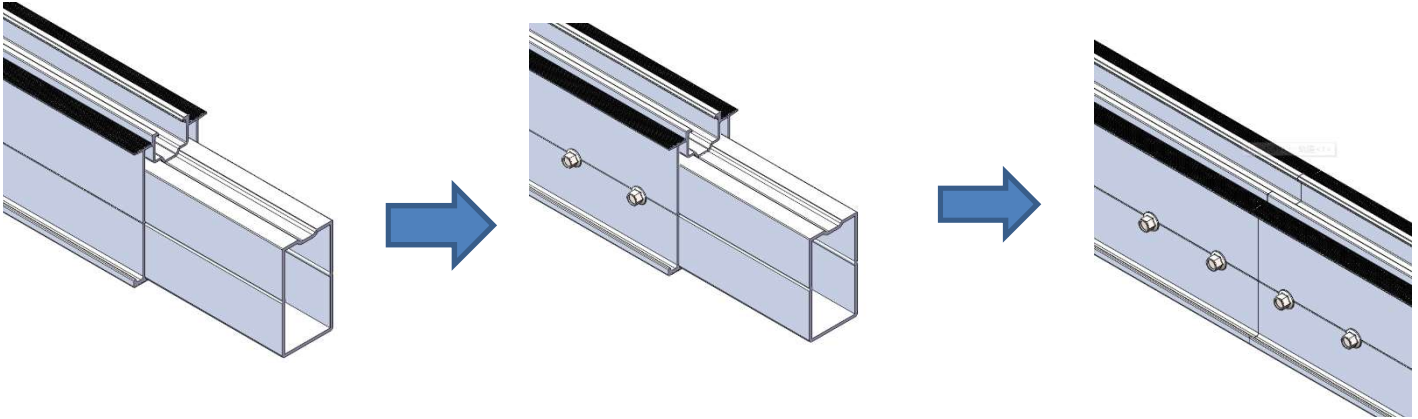


Installing Cross Rail

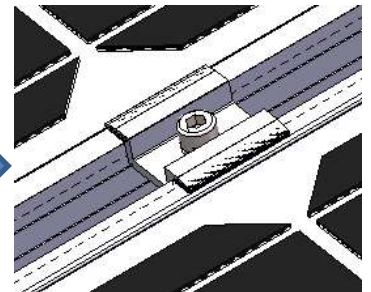
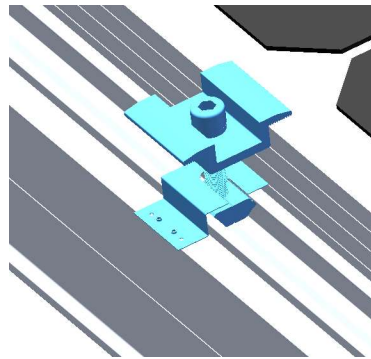
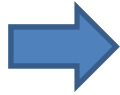
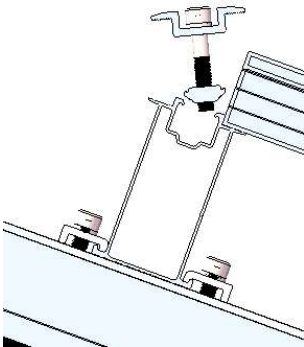
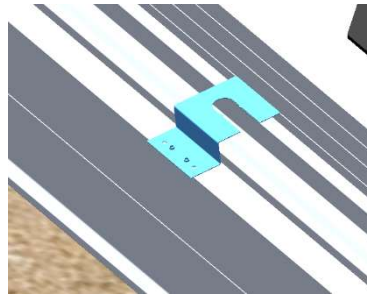
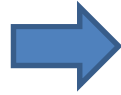
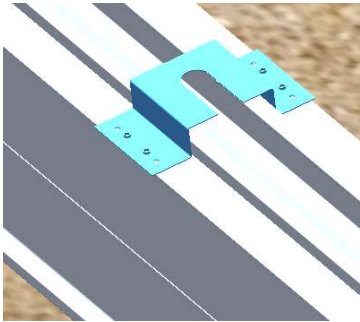
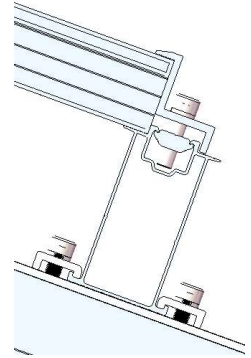
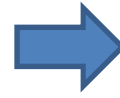
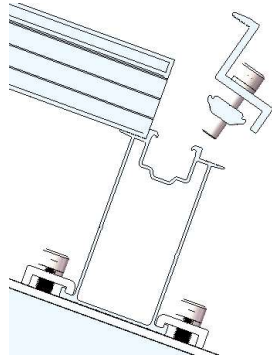
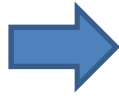
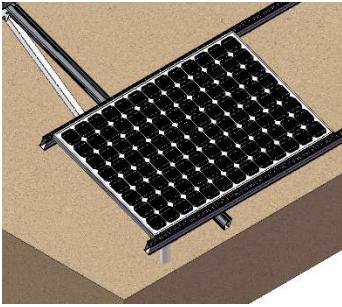
Place the Rails onto main beam, fixed the rail with rail clamps.

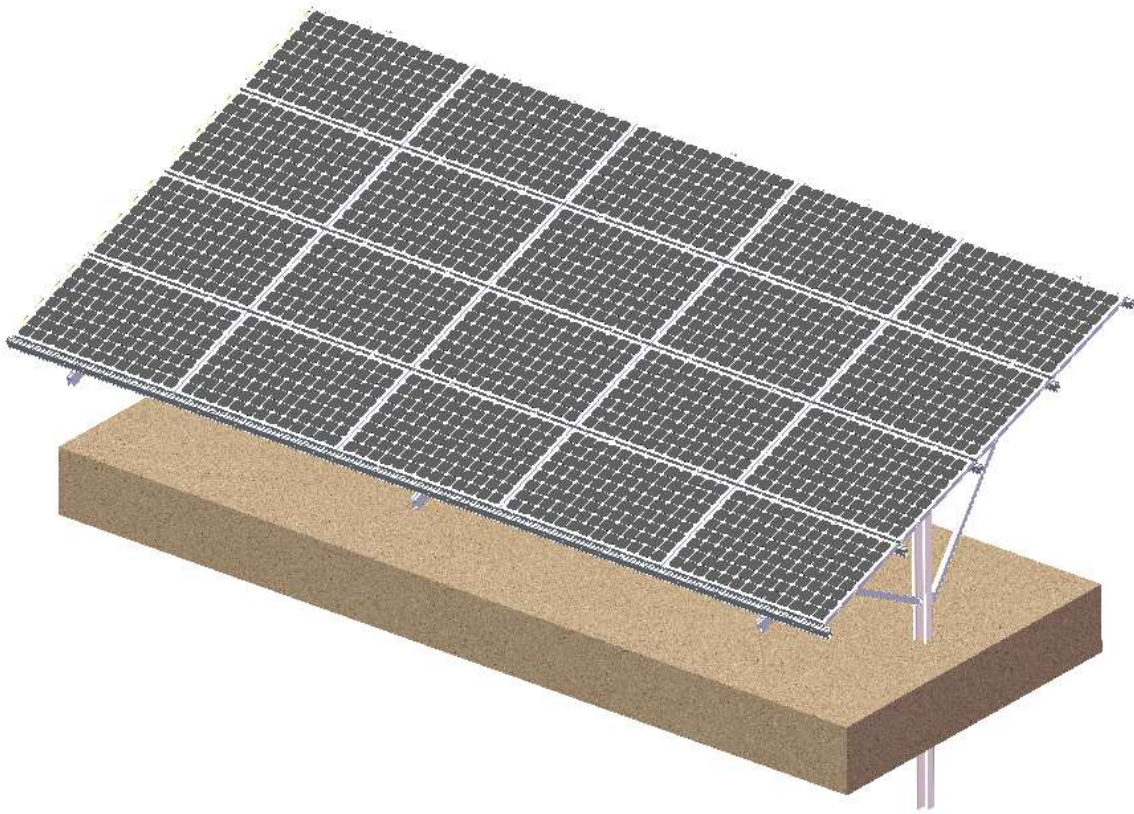


Rail connect use ST5.5X19 tapping screw fixed:



Installing Solar panel





Installing Earthing Lug

